

普通



公差范围

J=±5%	K=±10%
L=±15%	M=±20%
P=±25%	N=±30%

外观尺寸

A ±0.3	B ±0.3	C Max.	D Nom.	E Nom.	F Nom.	G Nom.
3.00	3.50	2.40	1.00	1.30	0.90	3.50

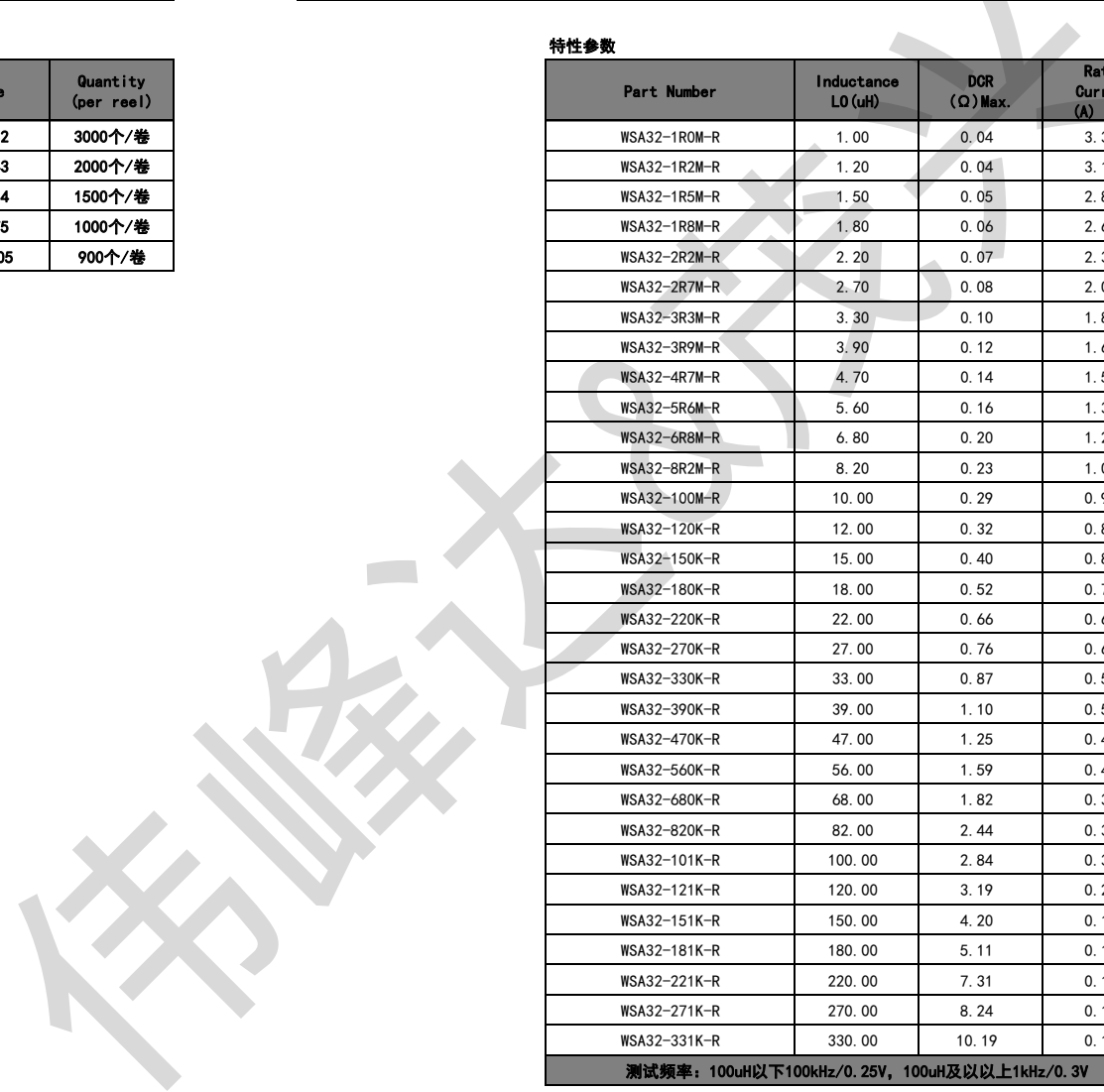
包装

Type	Quantity (per reel)
WSA32	3000个/卷
WSA43	2000个/卷
WSA54	1500个/卷
WSA75	1000个/卷
WSA105	900个/卷

特性参数

Part Number	Inductance L ₀ (uH)	DCR (Ω) Max.	Rated Current (A) Max.
WSA32-1R0M-R	1.00	0.04	3.34
WSA32-1R2M-R	1.20	0.04	3.10
WSA32-1R5M-R	1.50	0.05	2.80
WSA32-1R8M-R	1.80	0.06	2.68
WSA32-2R2M-R	2.20	0.07	2.35
WSA32-2R7M-R	2.70	0.08	2.01
WSA32-3R3M-R	3.30	0.10	1.83
WSA32-3R9M-R	3.90	0.12	1.64
WSA32-4R7M-R	4.70	0.14	1.50
WSA32-5R6M-R	5.60	0.16	1.36
WSA32-6R8M-R	6.80	0.20	1.22
WSA32-8R2M-R	8.20	0.23	1.09
WSA32-100M-R	10.00	0.29	0.90
WSA32-120K-R	12.00	0.32	0.88
WSA32-150K-R	15.00	0.40	0.82
WSA32-180K-R	18.00	0.52	0.76
WSA32-220K-R	22.00	0.66	0.63
WSA32-270K-R	27.00	0.76	0.62
WSA32-330K-R	33.00	0.87	0.56
WSA32-390K-R	39.00	1.10	0.51
WSA32-470K-R	47.00	1.25	0.47
WSA32-560K-R	56.00	1.59	0.42
WSA32-680K-R	68.00	1.82	0.38
WSA32-820K-R	82.00	2.44	0.34
WSA32-101K-R	100.00	2.84	0.31
WSA32-121K-R	120.00	3.19	0.28
WSA32-151K-R	150.00	4.20	0.16
WSA32-181K-R	180.00	5.11	0.15
WSA32-221K-R	220.00	7.31	0.14
WSA32-271K-R	270.00	8.24	0.12
WSA32-331K-R	330.00	10.19	0.10

测试频率: 100uH以下100kHz/0.25V, 100uH及以上以上1kHz/0.3V



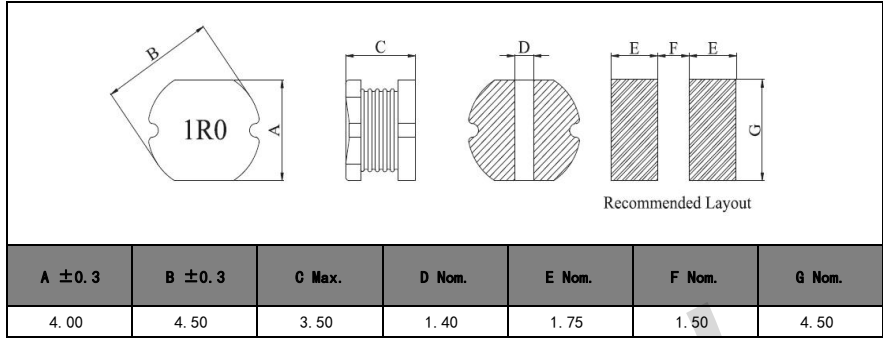
普通



公差范围

J=±5%	K=±10%
L=±15%	M=±20%
P=±25%	N=±30%

外观尺寸



包装

Type	Quantity (per reel)
WSA32	3000个/卷
WSA43	2000个/卷
WSA54	1500个/卷
WSA75	1000个/卷
WSA105	900个/卷

特性参数

Part Number	Inductance L ₀ (uH)	DCR (Ω) Max.	Rated Current (A) Max.
WSA43-1R0M-R	1.00	0.02	3.80
WSA43-1R2M-R	1.20	0.03	3.60
WSA43-1R5M-R	1.50	0.03	3.20
WSA43-1R8M-R	1.80	0.04	2.91
WSA43-2R2M-R	2.20	0.05	2.60
WSA43-2R7M-R	2.70	0.06	2.43
WSA43-3R3M-R	3.30	0.07	2.15
WSA43-3R9M-R	3.90	0.07	1.98
WSA43-4R7M-R	4.70	0.08	1.70
WSA43-5R6M-R	5.60	0.10	1.60
WSA43-6R8M-R	6.80	0.12	1.41
WSA43-8R2M-R	8.20	0.15	1.26
WSA43-100M-R	10.00	0.18	1.15
WSA43-120K-R	12.00	0.20	1.05
WSA43-150K-R	15.00	0.24	0.92
WSA43-180K-R	18.00	0.28	0.84
WSA43-220K-R	22.00	0.38	0.76
WSA43-270K-R	27.00	0.45	0.71
WSA43-330K-R	33.00	0.58	0.64
WSA43-390K-R	39.00	0.63	0.59
WSA43-470K-R	47.00	0.82	0.54
WSA43-560K-R	56.00	0.89	0.50
WSA43-680K-R	68.00	1.17	0.46

测试频率：100uH以下100kHz/0.25V, 100uH及以上1kHz/0.3V

普通



公差范围

J=±5%	K=±10%
L=±15%	M=±20%
P=±25%	N=±30%

外观尺寸

A ±0.3	B ±0.3	C Max.	D Nom.	E Nom.	F Nom.	G Nom.
5.20	5.80	4.80	2.00	2.15	1.70	5.50

包装

Type	Quantity (per reel)
WSA32	3000个/卷
WSA43	2000个/卷
WSA54	1500个/卷
WSA75	1000个/卷
WSA105	900个/卷

特性参数

Part Number	Inductance L ₀ (uH)	DCR (Ω) Max.	Rated Current (A) Max.
WSA54-1R0M-R	1.00	0.01	5.00
WSA54-1R5M-R	1.50	0.02	4.70
WSA54-1R8M-R	1.80	0.02	4.20
WSA54-2R2M-R	2.20	0.02	3.70
WSA54-2R7M-R	2.70	0.02	3.30
WSA54-3R3M-R	3.30	0.03	3.00
WSA54-3R9M-R	3.90	0.03	2.80
WSA54-4R7M-R	4.70	0.03	2.60
WSA54-5R6M-R	5.60	0.04	2.40
WSA54-6R8M-R	6.80	0.05	2.10
WSA54-8R2M-R	8.20	0.06	2.00
WSA54-100M-R	10.00	0.10	1.44
WSA54-120K-R	12.00	0.12	1.40
WSA54-150K-R	15.00	0.14	1.30
WSA54-180K-R	18.00	0.15	1.23
WSA54-220K-R	22.00	0.18	1.11
WSA54-270K-R	27.00	0.20	0.97
WSA54-330K-R	33.00	0.23	0.88
WSA54-390K-R	39.00	0.32	0.80
WSA54-470K-R	47.00	0.37	0.72
WSA54-560K-R	56.00	0.42	0.68
WSA54-680K-R	68.00	0.46	0.61
WSA54-820K-R	82.00	0.60	0.58
WSA54-101K-R	100.00	0.70	0.52
WSA54-121K-R	120.00	0.93	0.48
WSA54-151K-R	150.00	1.10	0.40
WSA54-181K-R	180.00	1.38	0.38
WSA54-221K-R	220.00	1.57	0.35

测试频率: 100uH以下100kHz/0.25V, 100uH及以上1kHz/0.3V

待业

普通



公差范围

J=±5%	K=±10%
L=±15%	M=±20%
P=±25%	N=±30%

外观尺寸

A ±0.3	B ±0.3	C Max.	D Nom.	E Nom.	F Nom.	G Nom.
7.00	7.80	5.50	2.40	3.00	2.00	7.50

包装

Type	Quantity (per reel)
WSA32	3000个/卷
WSA43	2000个/卷
WSA54	1500个/卷
WSA75	1000个/卷
WSA105	900个/卷

特性参数

Part Number	Inductance L ₀ (uH)	DCR (Ω) Max.	Rated Current (A) Max.
WSA75-1R0M-R	1.00	0.01	7.50
WSA75-1R5M-R	1.50	0.01	6.50
WSA75-1R8M-R	1.80	0.02	6.00
WSA75-2R2M-R	2.20	0.02	5.30
WSA75-2R7M-R	2.70	0.03	5.00
WSA75-3R3M-R	3.30	0.03	4.50
WSA75-3R9M-R	3.90	0.03	4.30
WSA75-4R7M-R	4.70	0.04	4.00
WSA75-5R6M-R	5.60	0.04	3.60
WSA75-6R8M-R	6.80	0.05	3.20
WSA75-8R2M-R	8.20	0.06	2.80
WSA75-100M-R	10.00	0.07	2.30
WSA75-120K-R	12.00	0.08	2.00
WSA75-150K-R	15.00	0.10	1.80
WSA75-180K-R	18.00	0.11	1.60
WSA75-220K-R	22.00	0.13	1.50
WSA75-270K-R	27.00	0.16	1.30
WSA75-330K-R	33.00	0.22	1.20
WSA75-390K-R	39.00	0.26	1.10
WSA75-470K-R	47.00	0.30	1.10
WSA75-560K-R	56.00	0.38	0.94
WSA75-680K-R	68.00	0.42	0.85
WSA75-820K-R	82.00	0.51	0.78
WSA75-101K-R	100.00	0.56	0.72
WSA75-121K-R	120.00	0.66	0.66
WSA75-151K-R	150.00	0.81	0.58
WSA75-181K-R	180.00	0.99	0.51
WSA75-221K-R	220.00	1.19	0.49
WSA75-271K-R	270.00	1.48	0.42
WSA75-331K-R	330.00	1.82	0.40
WSA75-391K-R	390.00	2.20	0.36
WSA75-471K-R	470.00	2.82	0.34

测试频率：100uH以下100kHz/0.25V，100uH及以上1kHz/0.3V

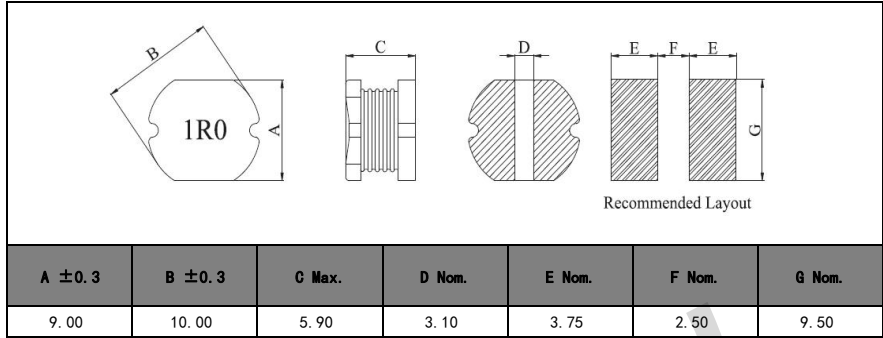
普通



公差范围

J=±5%	K=±10%
L=±15%	M=±20%
P=±25%	N=±30%

外观尺寸



包装

Type	Quantity (per reel)
WSA32	3000个/卷
WSA43	2000个/卷
WSA54	1500个/卷
WSA75	1000个/卷
WSA105	900个/卷

特性参数

Part Number	Inductance L ₀ (uH)	DCR (Ω) Max.	Rated Current (A) Max.
WSA105-1R2M-R	1.20	0.01	8.63
WSA105-1R8M-R	1.80	0.01	7.50
WSA105-2R2M-R	2.20	0.02	7.20
WSA105-3R3M-R	3.30	0.02	6.50
WSA105-3R9M-R	3.90	0.02	6.00
WSA105-4R7M-R	4.70	0.03	5.50
WSA105-5R6M-R	5.60	0.03	5.00
WSA105-6R8M-R	6.80	0.03	4.50
WSA105-8R2M-R	8.20	0.04	3.50
WSA105-100M-R	10.00	0.05	2.60
WSA105-120K-R	12.00	0.05	2.45
WSA105-150K-R	15.00	0.06	2.27
WSA105-180K-R	18.00	0.07	2.15
WSA105-220K-R	22.00	0.08	1.95
WSA105-270K-R	27.00	0.10	1.76
WSA105-330K-R	33.00	0.11	1.50
WSA105-390K-R	39.00	0.13	1.37
WSA105-470K-R	47.00	0.16	1.28
WSA105-560K-R	56.00	0.19	1.17
WSA105-680K-R	68.00	0.23	1.11
WSA105-820K-R	82.00	0.26	1.00
WSA105-101K-R	100.00	0.33	0.97
WSA105-121K-R	120.00	0.39	0.89
WSA105-151K-R	150.00	0.46	0.78
WSA105-181K-R	180.00	0.57	0.72
WSA105-221K-R	220.00	0.72	0.66
WSA105-271K-R	270.00	0.86	0.57
WSA105-331K-R	330.00	1.00	0.52
WSA105-391K-R	390.00	1.18	0.48
WSA105-471K-R	470.00	1.43	0.42
WSA105-561K-R	560.00	1.71	0.33
WSA105-681K-R	680.00	2.05	0.28
WSA105-821K-R	820.00	2.64	0.24

测试频率：100uH以下100kHz/0.25V，100uH及以上1kHz/0.3V