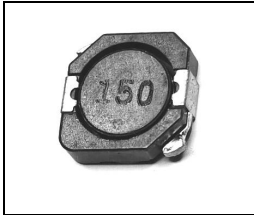


普通



公差范围	
J=±5%	K=±10%
L=±15%	M=±20%
P=±25%	N=±30%

外观尺寸

A ±0.3	B ±0.3	C Max.	D Nom.	E Nom.	F Nom.	G Nom.	H Nom.	I Nom.
5.90	6.20	3.20	4.70	2.00	0.60	2.60	4.60	1.00

包装

Type	Quantity (per reel)
WBL63	1500个/卷
WBL103	1000个/卷
WBL104	1000个/卷
WBL105	700个/卷

特性参数

Part Number	Inductance L ₀ (uH)	DCR (Ω) Max.	Rated Current (A) Max.
WBL63-2R2N-R	2.20	0.02	2.60
WBL63-3R3N-R	3.30	0.02	2.30
WBL63-4R0N-R	4.00	0.03	2.10
WBL63-4R7N-R	4.70	0.03	1.85
WBL63-6R0N-R	6.00	0.04	1.70
WBL63-8R2N-R	8.20	0.05	1.50
WBL63-100M-R	10.00	0.05	1.30
WBL63-120M-R	12.00	0.07	1.20
WBL63-150M-R	15.00	0.08	1.10
WBL63-180M-R	18.00	0.10	1.05
WBL63-220M-R	22.00	0.12	0.95
WBL63-270M-R	27.00	0.15	0.85
WBL63-330M-R	33.00	0.18	0.76
WBL63-390M-R	39.00	0.21	0.68
WBL63-470M-R	47.00	0.23	0.60
WBL63-560M-R	56.00	0.31	0.55
WBL63-80M-R	68.00	0.35	0.48
WBL63-820M-R	82.00	0.42	0.45
WBL63-101M-R	100.00	0.52	0.40

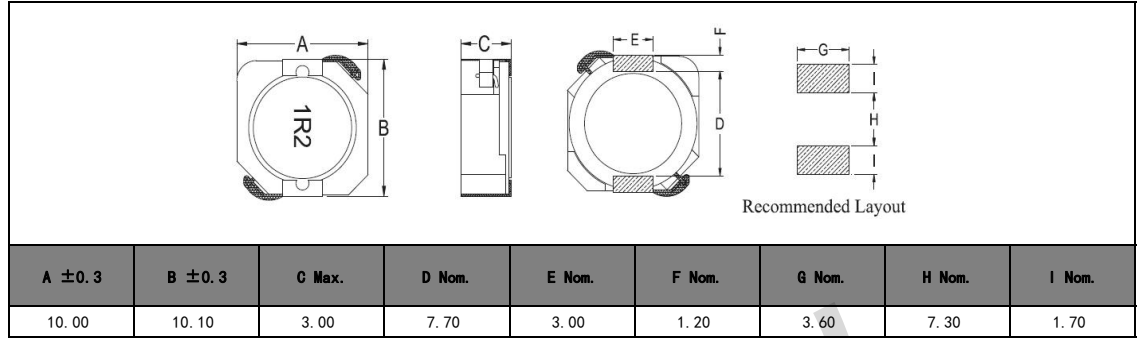
测试频率：100uH以下100kHz/0.25V, 100uH及以上1kHz/0.3V

普通



公差范围	
J=±5%	K=±10%
L=±15%	M=±20%
P=±25%	N=±30%

外观尺寸



包装

Type	Quantity (per reel)
WBL63	1500个/卷
WBL103	1000个/卷
WBL104	1000个/卷
WBL105	700个/卷

特性参数

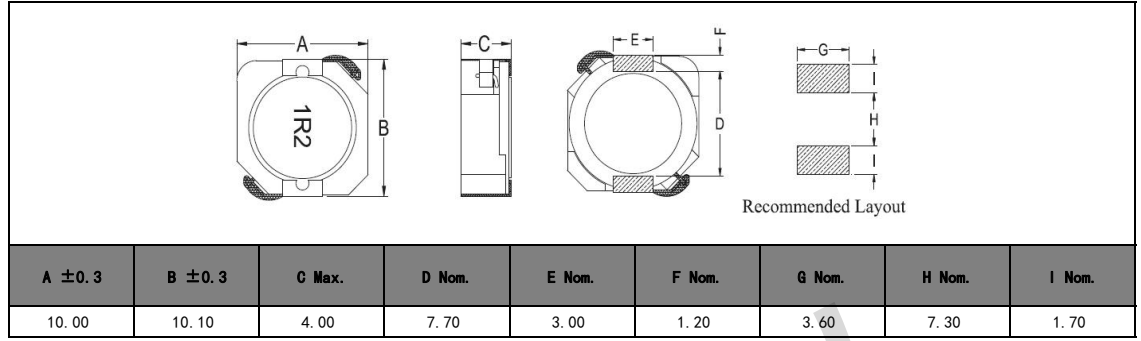
Part Number	Inductance L ₀ (uH)	DCR (Ω) Max.	Rated Current (A) Max.
WBL103-1R2N-R	1.20	0.01	4.80
WBL103-2R2N-R	2.20	0.02	4.10
WBL103-3R3N-R	3.30	0.02	3.90
WBL103-3R9N-R	3.90	0.02	3.76
WBL103-4R7N-R	4.70	0.03	3.20
WBL103-6R8N-R	6.80	0.04	3.10
WBL103-8R2N-R	8.20	0.04	3.00
WBL103-100M-R	10.00	0.05	2.80
WBL103-120M-R	12.00	0.06	2.25
WBL103-150M-R	15.00	0.06	2.22
WBL103-180M-R	18.00	0.08	1.90
WBL103-220M-R	22.00	0.10	1.78
WBL103-270M-R	27.00	0.11	1.63
WBL103-330M-R	33.00	0.14	1.32
WBL103-390M-R	39.00	0.16	1.18
WBL103-470M-R	47.00	0.20	1.16
WBL103-560M-R	56.00	0.23	1.10
WBL103-680M-R	68.00	0.27	1.04
WBL103-820M-R	82.00	0.31	0.94
WBL103-101M-R	100.00	0.38	0.84
WBL103-121M-R	120.00	0.48	0.76
WBL103-151M-R	150.00	0.56	0.74
WBL103-181M-R	180.00	0.64	0.68
WBL103-221M-R	220.00	0.78	0.66
WBL103-271M-R	270.00	0.96	0.58
WBL103-331 M-R	330.00	1.18	0.51
WBL103-391 M-R	390.00	1.48	0.49
WBL103-471 M-R	470.00	1.82	0.45

测试频率: 100uH以下100kHz/0.25V, 100uH及以上1kHz/0.3V

普通



外观尺寸



包装

Type	Quantity (per reel)
WBL63	1500个/卷
WBL103	1000个/卷
WBL104	1000个/卷
WBL105	700个/卷

特性参数

Part Number	Inductance L0 (uH)	DCR (Ω) Max.	Rated Current (A) Max.
WBL104-1R2N-R	1.20	0.02	5.40
WBL104-2R2N-R	2.20	0.02	4.95
WBL104-3R3N-R	3.30	0.03	4.35
WBL104-3R9N-R	3.90	0.03	4.05
WBL104-4R7N-R	4.70	0.03	4.00
WBL104-5R6N-R	5.60	0.04	3.80
WBL104-6R8N-R	6.80	0.04	3.50
WBL104-100M-R	10.00	0.05	3.15
WBL104-120M-R	12.00	0.06	3.00
WBL104-150M-R	15.00	0.07	2.90
WBL104-180M-R	18.00	0.08	2.70
WBL104-220M-R	22.00	0.09	2.50
WBL104-270M-R	27.00	0.10	2.10
WBL104-330M-R	33.00	0.13	2.00
WBL104-390M-R	39.00	0.15	1.90
WBL104-470M-R	47.00	0.17	1.80
WBL104-560M-R	56.00	0.22	1.62
WBL104-680M-R	68.00	0.30	1.35
WBL104-820M-R	82.00	0.33	1.26
WBL104-101M-R	100.00	0.40	1.17
WBL104-121M-R	120.00	0.49	1.05
WBL104-151M-R	150.00	0.61	1.00
WBL104-181M-R	180.00	0.66	0.80
WBL104-221M-R	220.00	0.94	0.70
WBL104-271M-R	270.00	1.17	0.60
WBL104-331 M-R	330.00	1.30	0.53
WBL104-391 M-R	390.00	1.56	0.45
WBL104-471 M-R	470.00	1.76	0.40

测试频率: 100uH以下100kHz/0.25V, 100uH及以上1kHz/0.3V

普通



公差范围	
J=±5%	K=±10%
L=±15%	M=±20%
P=±25%	N=±30%

外观尺寸

A ±0.3	B ±0.3	C Max.	D Nom.	E Nom.	F Nom.	G Nom.	H Nom.	I Nom.
10.00	10.10	5.00	7.70	3.00	1.20	3.60	7.30	1.70

包装

Type	Quantity (per reel)
WBL63	1500个/卷
WBL103	1000个/卷
WBL104	1000个/卷
WBL105	700个/卷

特性参数

Part Number	Inductance L ₀ (uH)	DCR (Ω) Max.	Rated Current (A) Max.
WBL105-1R2N-R	1.20	0.01	8.50
WBL105-1R5N-R	1.50	0.01	8.30
WBL105-2R2N-R	2.20	0.01	7.50
WBL105-3R3N-R	3.30	0.01	6.50
WBL105-4R7N-R	4.70	0.02	4.80
WBL105-5R6N-R	5.60	0.02	4.50
WBL105-6R8N-R	6.80	0.02	4.40
WBL105-8R2N-R	8.20	0.03	4.05
WBL105-100M-R	10.00	0.03	3.45
WBL105-120M-R	12.00	0.03	3.40
WBL105-150M-R	15.00	0.04	2.83
WBL105-180M-R	18.00	0.05	2.62
WBL105-220M-R	22.00	0.06	2.44
WBL105-270M-R	27.00	0.08	2.24
WBL105-330M-R	33.00	0.09	1.88
WBL105-390M-R	39.00	0.11	1.70
WBL105-470M-R	47.00	0.12	1.56
WBL105-560M-R	56.00	0.15	1.39
WBL105-680M-R	68.00	0.17	1.36
WBL105-820M-R	82.00	0.20	1.20
WBL105-101M-R	100.00	0.23	1.09
WBL105-121M-R	120.00	0.30	1.00
WBL105-151M-R	150.00	0.41	0.91
WBL105-181M-R	180.00	0.42	0.84
WBL105-221M-R	220.00	0.50	0.75
WBL105-271M-R	270.00	0.57	0.68
WBL105-331M-R	330.00	0.70	0.60
WBL105-391M-R	390.00	0.68	0.57
WBL105-471M-R	470.00	1.03	0.50
WBL105-561M-R	560.00	1.21	0.47
WBL105-681M-R	680.00	1.52	0.43
WBL105-821M-R	820.00	1.85	0.39
WBL105-102M-R	1000.00	2.05	0.35

测试频率：100uH以下100kHz/0.25V, 100uH及以上1kHz/0.3V