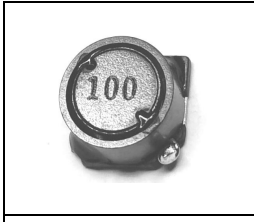
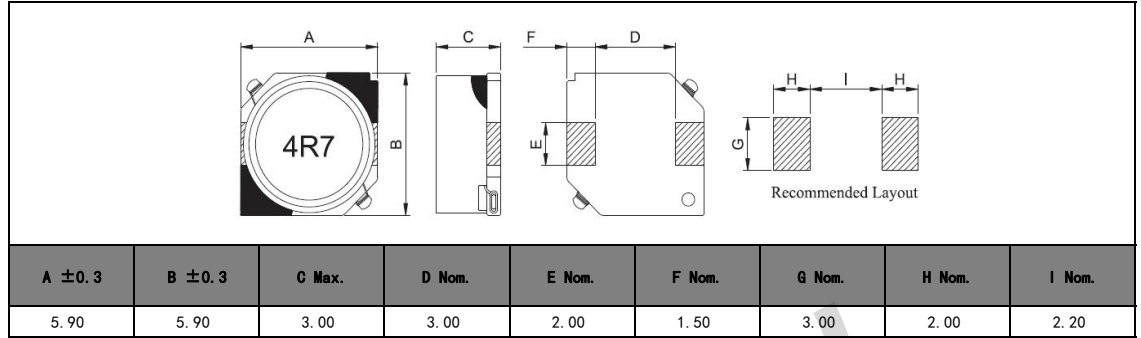


普通



公差范围	
J=±5%	K=±10%
L=±15%	M=±20%
P=±25%	N=±30%

外观尺寸



包装

Type	Quantity (per reel)
WBF6028C	1500个/卷
WBF6045C	1000个/卷
WBF7032C	1500个/卷
WBF7045C	1000个/卷
WBF1045C	700个/卷
WBF1065C	500个/卷
WBF1206C	500个/卷

特性参数

Part Number	Inductance L0 (uH)	DCR (Ω) ±30%	I <sub>sat</sub> (A) Max.	I <sub>rms</sub> (A) Max.
WBF6028C-4R7M-R	4.70	0.04	1.60	2.50
WBF6028C-6R8M-R	6.80	0.05	1.50	2.20
WBF6028C-100M-R	10.00	0.07	1.30	1.80
WBF6028C-150M-R	15.00	0.10	1.00	1.40
WBF6028C-220M-R	22.00	0.12	0.77	1.30
WBF6028C-330M-R	33.00	0.18	0.69	1.10
WBF6028C-470M-R	47.00	0.27	0.59	0.92
WBF6028C-680M-R	68.00	0.39	0.50	0.78
WBF6028C-101M-R	100.00	0.62	0.42	0.64

测试频率：100uH以下100kHz/0.25V, 100uH及以上1kHz/0.3V

### 普通



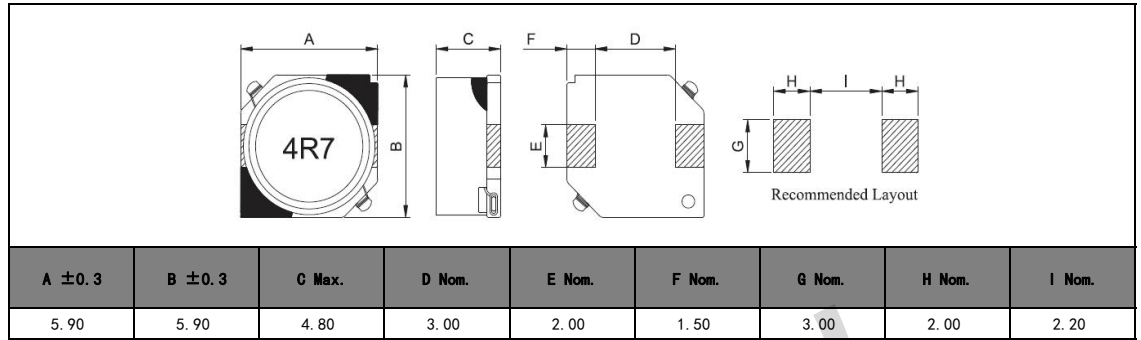
#### 公差范围

J=±5%	K=±10%
L=±15%	M=±20%
P=±25%	N=±30%

### 包装

Type	Quantity (per reel)
WBF6028C	1500个/卷
WBF6045C	1000个/卷
WBF7032C	1500个/卷
WBF7045C	1000个/卷
WBF1045C	700个/卷
WBF1065C	500个/卷
WBF1206C	500个/卷

### 外观尺寸



### 特性参数

Part Number	Inductance L0 (uH)	DCR (Ω) ±30%	I <sub>sat</sub> (A) Max.	I <sub>rms</sub> (A) Max.
WBF6045C-1R5N-R	1.50	0.02	4.00	4.10
WBF6045C-2R2N-R	2.20	0.02	3.30	3.80
WBF6045C-3R3N-R	3.30	0.02	2.80	3.40
WBF6045C-4R7N-R	4.70	0.03	2.40	3.20
WBF6045C-6R8N-R	6.80	0.03	2.00	2.80
WBF6045C-100M-R	10.00	0.04	1.60	2.70
WBF6045C-150M-R	15.00	0.06	1.30	2.20
WBF6045C-220M-R	22.00	0.08	1.10	1.80

测试频率：100uH以下100kHz/0.25V, 100uH及以上1kHz/0.3V

### 普通



公差范围	
J=±5%	K=±10%
L=±15%	M=±20%
P=±25%	N=±30%

### 外观尺寸

A ±0.3	B ±0.3	C Max.	D Nom.	E Nom.	F Nom.	G Nom.	H Nom.	I Nom.
6.90	6.90	3.40	4.00	2.00	1.50	4.00	2.00	2.20

### 包装

Type	Quantity (per reel)
WBF6028C	1500个/卷
WBF6045C	1000个/卷
WBF7032C	1500个/卷
WBF7045C	1000个/卷
WBF1045C	700个/卷
WBF1065C	500个/卷
WBF1206C	500个/卷

### 特性参数

Part Number	Inductance L <sub>0</sub> (uH)	DCR (Ω) ±30%	I <sub>sat</sub> (A) Max.	I <sub>rms</sub> (A) Max.
WBF7032C-3R3M-R	3.30	0.02	1.90	1.90
WBF7032C-4R7M-R	4.70	0.04	1.70	1.70
WBF7032C-6R8M-R	6.80	0.04	1.60	1.60
WBF7032C-100M-R	10.00	0.05	1.40	1.40
WBF7032C-150M-R	15.00	0.08	1.10	1.10
WBF7032C-220M-R	22.00	0.11	0.96	0.96
WBF7032C-330M-R	33.00	0.16	0.75	0.75
WBF7032C-470M-R	47.00	0.24	0.67	0.67
WBF7032C-680M-R	68.00	0.31	0.59	0.59
WBF7032C-101M-R	100.00	0.45	0.45	0.45
WBF7032C-151M-R	150.00	0.65	0.37	0.37
WBF7032C-221M-R	220.00	1.05	0.29	0.29
WBF7032C-331M-R	330.00	1.67	0.22	0.22
WBF7032C-471M-R	470.00	2.05	0.20	0.20
WBF7032C-681M-R	680.00	3.15	0.16	0.16
WBF7032C-102M-R	1000.00	4.78	0.13	0.13

测试频率：100uH以下100kHz/0.25V, 100uH及以上1kHz/0.3V

普通



公差范围	
J=±5%	K=±10%
L=±15%	M=±20%
P=±25%	N=±30%

外观尺寸

A ±0.3	B ±0.3	C Max.	D Nom.	E Nom.	F Nom.	G Nom.	H Nom.	I Nom.
6.90	6.90	4.80	4.00	2.00	1.50	4.00	2.00	2.20

包装

Type	Quantity (per reel)
WBF6028C	1500个/卷
WBF6045C	1000个/卷
WBF7032C	1500个/卷
WBF7045C	1000个/卷
WBF1045C	700个/卷
WBF1065C	500个/卷
WBF1206C	500个/卷

特性参数

Part Number	Inductance L0 (uH)	DCR (Ω) ±30%	I <sub>sat</sub> (A) Max.	I <sub>rms</sub> (A) Max.
WBF7045C-3R3M-R	3.30	0.02	2.50	2.30
WBF7045C-4R7M-R	4.70	0.03	2.00	2.10
WBF7045C-6R8M-R	6.80	0.04	1.70	1.74
WBF7045C-100M-R	10.00	0.04	1.30	1.68
WBF7045C-150M-R	15.00	0.05	1.10	1.53
WBF7045C-220M-R	22.00	0.06	0.90	1.34
WBF7045C-330M-R	33.00	0.10	0.82	1.09
WBF7045C-470M-R	47.00	0.13	0.75	0.92
WBF7045C-680M-R	68.00	0.18	0.60	0.77
WBF7045C-101M-R	100.00	0.25	0.50	0.65
WBF7045C-151M-R	150.00	0.34	0.40	0.55
WBF7045C-221M-R	220.00	0.52	0.33	0.45
WBF7045C-331M-R	330.00	0.74	0.25	0.37
WBF7045C-471M-R	470.00	1.05	0.22	0.31
WBF7045C-681M-R	680.00	1.48	0.20	0.27
WBF7045C-102M-R	1000.00	2.28	0.14	0.25

测试频率：100uH以下100kHz/0.25V, 100uH及以上1kHz/0.3V

### 普通



公差范围	
J=±5%	K=±10%
L=±15%	M=±20%
P=±25%	N=±30%

### 外观尺寸

A ±0.3	B ±0.3	C Max.	D Nom.	E Nom.	F Nom.	G Nom.	H Nom.	I Nom.
10.10	10.10	4.80	6.00	3.00	2.05	5.60	2.50	3.20

### 包装

Type	Quantity (per reel)
WBF6028C	1500个/卷
WBF6045C	1000个/卷
WBF7032C	1500个/卷
WBF7045C	1000个/卷
WBF1045C	700个/卷
WBF1065C	500个/卷
WBF1206C	500个/卷

### 特性参数

Part Number	Inductance L <sub>0</sub> (uH)	DCR (Ω) ±30%	I <sub>sat</sub> (A) Max.	I <sub>rms</sub> (A) Max.
WBF1045C-3R3N-R	3.30	0.02	4.90	3.70
WBF1045C-5R6N-R	5.60	0.02	3.80	3.20
WBF1045C-100M-R	10.00	0.04	3.00	2.50
WBF1045C-150M-R	15.00	0.05	2.40	2.20
WBF1045C-220M-R	22.00	0.06	2.10	1.90
WBF1045C-330M-R	33.00	0.08	1.60	1.70
WBF1045C-470M-R	47.00	0.10	1.40	1.50
WBF1045C-680M-R	68.00	0.14	1.20	1.30
WBF1045C-101K-R	100.00	0.20	1.00	1.10
WBF1045C-151K-R	150.00	0.35	0.79	0.81
WBF1045C-221K-R	220.00	0.47	0.65	0.70
WBF1045C-331K-R	330.00	0.68	0.54	0.58
WBF1045C-471K-R	470.00	1.03	0.47	0.47
WBF1045C-681K-R	680.00	1.60	0.38	0.38
WBF1045C-102K-R	1000.00	2.80	0.32	0.29
WBF1045C-152K-R	1500.00	3.40	0.22	0.26

测试频率：100uH以下100kHz/0.25V, 100uH及以上1kHz/0.3V

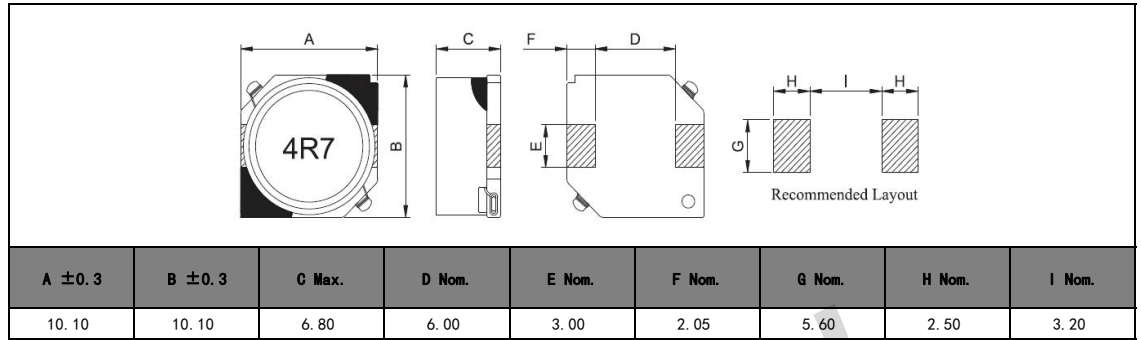
### 普通



#### 公差范围

J=±5%	K=±10%
L=±15%	M=±20%
P=±25%	N=±30%

### 外观尺寸



### 包装

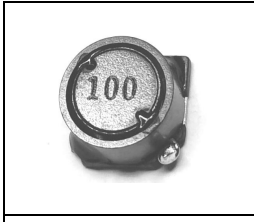
Type	Quantity (per reel)
WBF6028C	1500个/卷
WBF6045C	1000个/卷
WBF7032C	1500个/卷
WBF7045C	1000个/卷
WBF1045C	700个/卷
WBF1065C	500个/卷
WBF1206C	500个/卷

### 特性参数

Part Number	Inductance L0 (uH)	DCR (Ω) ±30%	I <sub>sat</sub> (A) Max.	I <sub>rms</sub> (A) Max.
WBF1065C-1R5N-R	1.50	0.01	10.70	6.80
WBF1065C-2R2N-R	2.20	0.01	8.90	6.30
WBF1065C-3R3N-R	3.30	0.01	7.80	5.80
WBF1065C-4R7N-R	4.70	0.01	6.10	4.70
WBF1065C-6R8N-R	6.80	0.01	4.60	4.30
WBF1065C-100M-R	10.00	0.02	4.10	3.80
WBF1065C-150M-R	15.00	0.03	3.10	3.10
WBF1065C-220M-R	22.00	0.05	2.70	2.40

测试频率：100uH以下100kHz/0.25V, 100uH及以上1kHz/0.3V

普通



公差范围	
J=±5%	K=±10%
L=±15%	M=±20%
P=±25%	N=±30%

外观尺寸

A ±0.3	B ±0.3	C Max.	D Nom.	E Nom.	F Nom.	G Nom.	H Nom.	I Nom.
12.50	12.50	6.85	8.50	3.00	2.00	8.50	2.60	3.20

包装

Type	Quantity (per reel)
WBF6028C	1500个/卷
WBF6045C	1000个/卷
WBF7032C	1500个/卷
WBF7045C	1000个/卷
WBF1045C	700个/卷
WBF1065C	500个/卷
WBF1206C	500个/卷

特性参数

Part Number	Inductance L0 (uH)	DCR (Ω) ±30%	I <sub>sat</sub> (A) Max.	I <sub>rms</sub> (A) Max.
WBF1206C-2R0N-R	2.00	11.70	10.00	6.20
WBF1206C-4R2N-R	4.20	15.00	7.30	5.50
WBF1206C-7R0N-R	7.00	17.70	5.70	5.00
WBF1206C-100M-R	10.00	20.20	5.00	4.80
WBF1206C-150M-R	15.00	23.70	4.20	4.40
WBF1206C-220M-R	22.00	31.60	3.50	3.80
WBF1206C-330M-R	33.00	40.60	2.80	3.40
WBF1206C-470M-R	47.00	57.80	2.40	2.80
WBF1206C-681M-R	68.00	78.70	2.00	2.40
WBF1206C-101M-R	100.00	123.00	1.60	1.90
WBF1206C-151M-R	150.00	273.00	1.00	1.20

测试频率：100uH以下100kHz/0.25V, 100uH及以上1kHz/0.3V