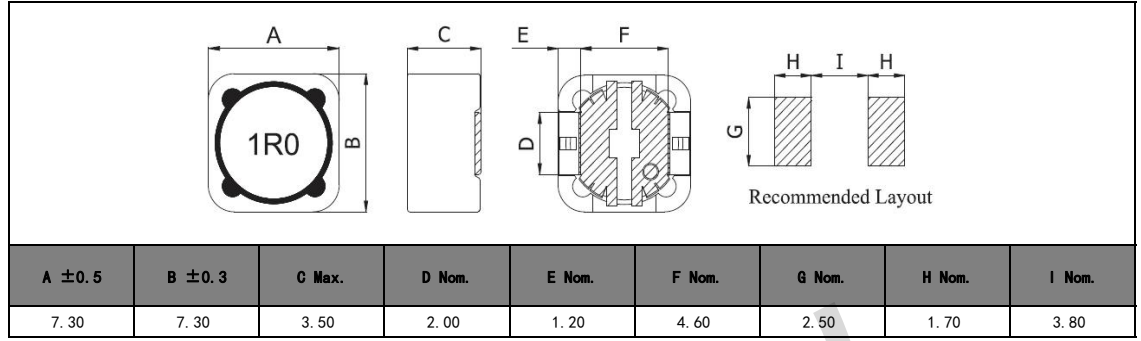


普通



外观尺寸



包装

Type	Quantity (per reel)
WBH73	1000个/卷
WBH74	1000个/卷
WBH105	900个/卷
WBH124	700个/卷
WBH125	500个/卷
WBH127	500个/卷

特性参数

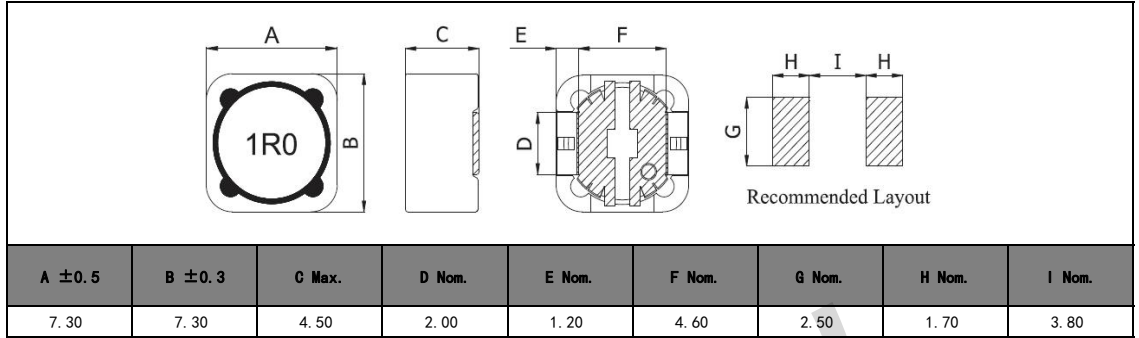
Part Number	Inductance L <sub>0</sub> (uH)	DCR (Ω) Max.	Rated Current (A) Max.
WBH73-100M-R	10.00	0.08	2.24
WBH73-120M-R	12.00	0.11	1.89
WBH73-150M-R	15.00	0.14	1.75
WBH73-180M-R	18.00	0.16	1.54
WBH73-220M-R	22.00	0.19	1.47
WBH73-270M-R	27.00	0.21	1.40
WBH73-330M-R	33.00	0.24	1.23
WBH73-390M-R	39.00	0.32	1.08
WBH73-470M-R	47.00	0.40	1.00
WBH73-560M-R	56.00	0.49	0.91
WBH73-680M-R	68.00	0.56	0.84
WBH73-820M-R	82.00	0.69	0.74
WBH73-101M-R	100.00	0.79	0.70
WBH73-121M-R	120.00	0.98	0.63
WBH73-151M-R	150.00	1.11	0.58
WBH73-181M-R	180.00	1.45	0.52
WBH73-221M-R	220.00	1.82	0.48
WBH73-271M-R	270.00	2.19	0.42
WBH73-331M-R	330.00	2.62	0.39
WBH73-391M-R	390.00	3.33	0.35
WBH73-471M-R	470.00	3.86	0.32
WBH73-561M-R	560.00	4.30	0.29
WBH73-681M-R	680.00	5.73	0.19
WBH73-821M-R	820.00	6.54	0.18
WBH73-102M-R	1000.00	8.25	0.16

测试频率：100uH以下100kHz/0.25V, 100uH及以上1kHz/0.3V

普通



外观尺寸



包装

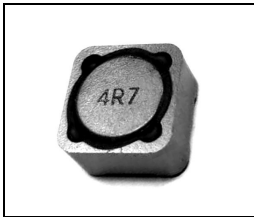
Type	Quantity (per reel)
WBH73	1000个/卷
WBH74	1000个/卷
WBH105	900个/卷
WBH124	700个/卷
WBH125	500个/卷
WBH127	500个/卷

特性参数

Part Number	Inductance L <sub>0</sub> (uH)	DCR (Ω) Max.	Rated Current (A) Max.
WBH74-100M-R	10.00	0.07	1.84
WBH74-120M-R	12.00	0.08	1.71
WBH74-150M-R	15.00	0.09	1.47
WBH74-180M-R	18.00	0.12	1.31
WBH74-220M-R	22.00	0.14	1.23
WBH74-270M-R	27.00	0.18	1.12
WBH74-330M-R	33.00	0.21	0.96
WBH74-390M-R	39.00	0.25	0.91
WBH74-470M-R	47.00	0.30	0.88
WBH74-560M-R	56.00	0.36	0.75
WBH74-680M-R	68.00	0.44	0.69
WBH74-820M-R	82.00	0.48	0.61
WBH74-101M-R	100.00	0.56	0.60
WBH74-121M-R	120.00	0.70	0.52
WBH74-151M-R	150.00	0.79	0.46
WBH74-181M-R	180.00	0.96	0.42
WBH74-221M-R	220.00	1.22	0.36
WBH74-271M-R	270.00	1.51	0.34
WBH74-331M-R	330.00	1.72	0.32
WBH74-391M-R	390.00	2.11	0.29
WBH74-471M-R	470.00	2.43	0.26
WBH74-561M-R	560.00	3.16	0.23
WBH74-681M-R	680.00	3.54	0.22
WBH74-821M-R	820.00	4.49	0.20
WBH74-102M-R	1000.00	5.80	0.18

测试频率：100uH以下100kHz/0.25V, 100uH及以上1kHz/0.3V

普通



公差范围	
J=±5%	K=±10%
L=±15%	M=±20%
P=±25%	N=±30%

外观尺寸

A ±0.5	B ±0.3	C Max.	D Nom.	E Nom.	F Nom.	G Nom.	H Nom.	I Nom.
10.00	10.00	5.00	3.80	2.00	5.90	4.30	2.60	5.00

包装

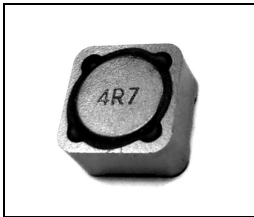
Type	Quantity (per reel)
WBH73	1000个/卷
WBH74	1000个/卷
WBH105	900个/卷
WBH124	700个/卷
WBH125	500个/卷
WBH127	500个/卷

特性参数

Part Number	Inductance L <sub>0</sub> (uH)	DCR (Ω) Max.	Rated Current (A) Max.
WBH105-100M-R	10.00	0.05	2.40
WBH105-120M-R	12.00	0.05	2.25
WBH105-150M-R	15.00	0.07	2.00
WBH105-180M-R	18.00	0.08	1.80
WBH105-220M-R	22.00	0.09	1.65
WBH105-270M-R	27.00	0.11	1.45
WBH105-330M-R	33.00	0.13	1.35
WBH105-390M-R	39.00	0.15	1.20
WBH105-470M-R	47.00	0.20	1.10
WBH105-560M-R	56.00	0.23	1.00
WBH105-680M-R	68.00	0.31	0.93
WBH105-820M-R	82.00	0.36	0.84
WBH105-101M-R	100.00	0.39	0.76
WBH105-121M-R	120.00	0.47	0.70
WBH105-151M-R	150.00	0.53	0.63
WBH105-181M-R	180.00	0.68	0.57
WBH105-221M-R	220.00	0.82	0.52
WBH105-271M-R	270.00	0.92	0.47
WBH105-331M-R	330.00	1.13	0.43
WBH105-391M-R	390.00	1.39	0.39
WBH105-471M-R	470.00	1.66	0.36

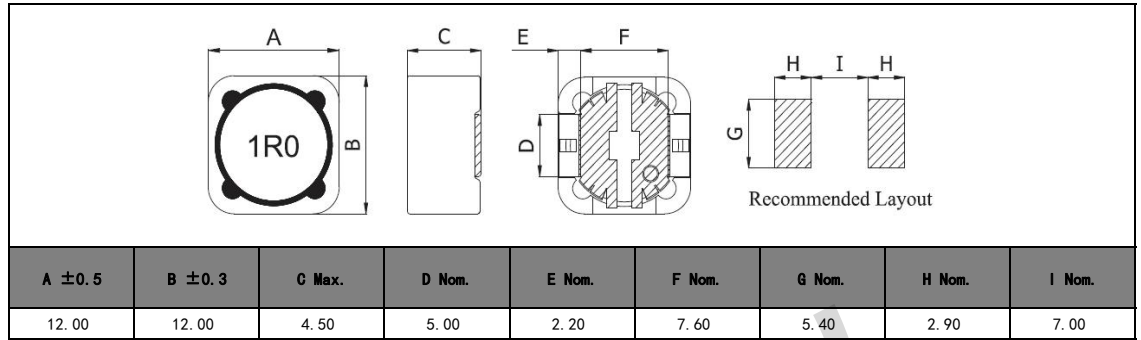
测试频率: 100uH以下100kHz/0.25V, 100uH及以上1kHz/0.3V

### 普通



公差范围	
J=±5%	K=±10%
L=±15%	M=±20%
P=±25%	N=±30%

### 外观尺寸



### 包装

Type	Quantity (per reel)
WBH73	1000个/卷
WBH74	1000个/卷
WBH105	900个/卷
WBH124	700个/卷
WBH125	500个/卷
WBH127	500个/卷

### 特性参数

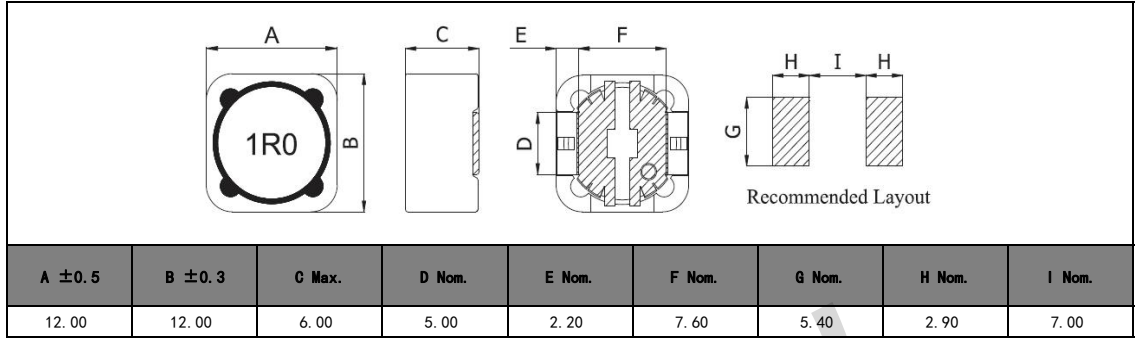
Part Number	Inductance L <sub>0</sub> (μH)	DCR (Ω) Max.	Rated Current (A) Max.
WBH124-3R9N-R	3.90	0.02	6.50
WBH124-4R7N-R	4.70	0.02	5.70
WBH124-6R8N-R	6.80	0.02	4.90
WBH124-100M-R	10.00	0.03	4.50
WBH124-120M-R	12.00	0.04	4.00
WBH124-150M-R	15.00	0.05	3.20
WBH124-180M-R	18.00	0.06	3.10
WBH124-220M-R	22.00	0.07	2.90
WBH124-270M-R	27.00	0.08	2.80
WBH124-330M-R	33.00	0.10	2.70
WBH124-390M-R	39.00	0.13	2.10
WBH124-470M-R	47.00	0.16	1.90
WBH124-560M-R	56.00	0.19	1.80
WBH124-680M-R	68.00	0.22	1.50
WBH124-820M-R	82.00	0.26	1.30
WBH124-101M-R	100.00	0.31	1.20
WBH124-121M-R	120.00	0.33	1.10
WBH124-151M-R	150.00	0.53	0.95
WBH124-181M-R	180.00	0.62	0.85
WBH124-221M-R	220.00	0.70	0.80
WBH124-271M-R	270.00	0.87	0.60
WBH124-331M-R	330.00	0.90	0.50

测试频率: 100μH以下100kHz/0.25V, 100μH及以上1kHz/0.3V

普通



外观尺寸



包装

Type	Quantity (per reel)
WBH73	1000个/卷
WBH74	1000个/卷
WBH105	900个/卷
WBH124	700个/卷
WBH125	500个/卷
WBH127	500个/卷

特性参数

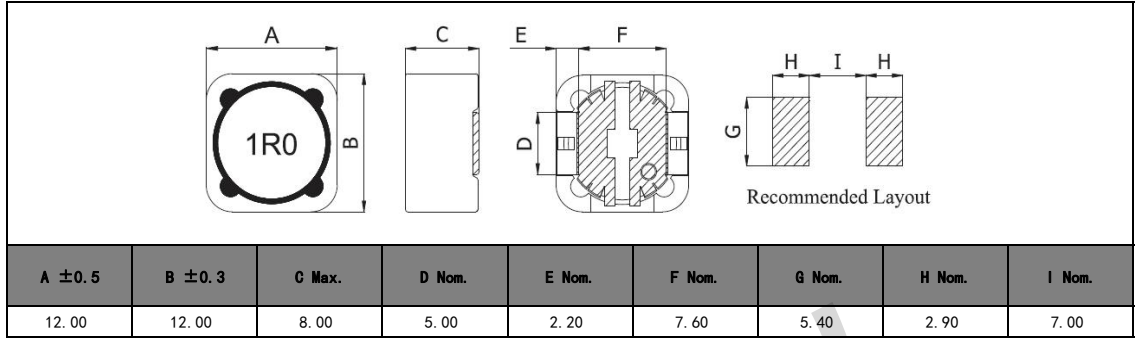
Part Number	Inductance L <sub>0</sub> (uH)	DCR (Ω) Max.	Rated Current (A) Max.
WBH125-1R3N-R	1.30	0.01	8.00
WBH125-2R1N-R	2.10	0.01	7.00
WBH125-3R1N-R	3.10	0.01	6.00
WBH125-3R9N-R	3.90	0.01	5.50
WBH125-4R7N-R	4.70	0.01	5.00
WBH125-5R8N-R	5.80	0.02	4.40
WBH125-6R1N-R	6.10	0.02	4.40
WBH125-7R5N-R	7.50	0.02	4.20
WBH125-100M-R	10.00	0.02	4.00
WBH125-120M-R	12.00	0.03	3.50
WBH125-150M-R	15.00	0.03	3.30
WBH125-180M-R	18.00	0.05	3.00
WBH125-220M-R	22.00	0.05	2.80
WBH125-270M-R	27.00	0.06	2.30
WBH125-330M-R	33.00	0.07	2.10
WBH125-390M-R	39.00	0.09	2.00
WBH125-470M-R	47.00	0.10	1.80
WBH125-560M-R	56.00	0.11	1.70
WBH125-680M-R	68.00	0.13	1.50
WBH125-820M-R	82.00	0.16	1.40
WBH125-101M-R	100.00	0.18	1.30
WBH125-121M-R	120.00	0.20	1.10
WBH125-151M-R	150.00	0.24	1.00
WBH125-181M-R	180.00	0.30	0.90
WBH125-221M-R	220.00	0.35	0.80
WBH125-271M-R	270.00	0.43	0.75
WBH125-331M-R	330.00	0.49	0.68
WBH125-391M-R	390.00	0.58	0.65
WBH125-471M-R	470.00	0.77	0.58
WBH125-561M-R	560.00	1.01	0.54
WBH125-681M-R	680.00	1.20	0.48
WBH125-821M-R	820.00	1.34	0.43
WBH125-102M-R	1000.00	1.53	0.40

测试频率：100uH以下100kHz/0.25V, 100uH及以上1kHz/0.3V

普通



外观尺寸



包装

Type	Quantity (per reel)
WBH73	1000个/卷
WBH74	1000个/卷
WBH105	900个/卷
WBH124	700个/卷
WBH125	500个/卷
WBH127	500个/卷


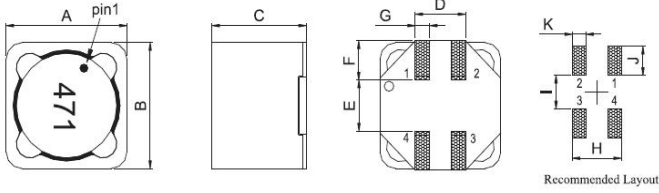
特性参数

Part Number	Inductance L <sub>0</sub> (uH)	DCR (Ω) Max.	Rated Current (A) Max.
WBH127-1R2N-R	1.20	0.01	9.80
WBH127-3R5N-R	3.50	0.01	7.50
WBH127-4R7N-R	4.70	0.02	6.80
WBH127-6R1N-R	6.10	0.02	6.60
WBH127-7R6N-R	7.60	0.02	5.90
WBH127-100M-R	10.00	0.02	5.40
WBH127-120M-R	12.00	0.02	4.90
WBH127-150M-R	15.00	0.03	4.50
WBH127-180M-R	18.00	0.04	3.90
WBH127-220M-R	22.00	0.04	3.60
WBH127-270M-R	27.00	0.05	3.40
WBH127-330M-R	33.00	0.07	3.00
WBH127-390M-R	39.00	0.07	2.75
WBH127-470M-R	47.00	0.10	2.50
WBH127-560M-R	56.00	0.11	2.35
WBH127-680M-R	68.00	0.14	2.10
WBH127-820M-R	82.00	0.16	1.95
WBH127-101M-R	100.00	0.22	1.70
WBH127-121M-R	120.00	0.25	1.60
WBH127-151M-R	150.00	0.28	1.42
WBH127-181M-R	180.00	0.35	1.30
WBH127-221M-R	220.00	0.39	1.16
WBH127-271M-R	270.00	0.56	1.06
WBH127-331M-R	330.00	0.64	0.95
WBH127-391M-R	390.00	0.70	0.88
WBH127-471M-R	470.00	0.98	0.79
WBH127-561M-R	560.00	1.07	0.73
WBH127-681M-R	680.00	1.46	0.67
WBH127-821M-R	820.00	1.64	0.60
WBH127-102M-R	1000.00	1.82	0.55

测试频率: 100uH以下100kHz/0.25V, 100uH及以上1kHz/0.3V

普通

外观尺寸

												
		公差范围		A/B ±0.5	C ±0.3	D Nom.	E Nom.	F Nom.	G Nom.	H Nom.	I Nom.	J Nom.
J=±5%	K=±10%											
L=±15%	M=±20%											
P=±25%	N=±30%	15.50	14.20	5.60	8.20	3.30	1.90	6.00	7.90	4.20	2.30	

包装

Type	Quantity (per reel)
WBH1514BD	175个/卷

Part Number (100kHz/0.1V)	Inductance L0 (uH)	DCR (mΩ) Max.	SRF (MHz) Typ.	LK (uH) Typ.	Isat (A) Typ.	Irms1 (A) Typ.	Irms2 (A) Typ.
WBH1514BD-2R5M-R	2.50	12.00	34.00	0.20	30.50	5.10	7.80
WBH1514BD-4R7M-R	4.70	14.00	25.00	0.20	23.70	4.50	7.60
WBH1514BD-100M-R	10.00	18.00	16.50	0.40	16.20	4.00	6.80
WBH1514BD-120M-R	12.00	22.00	14.50	0.40	14.80	3.70	6.60
WBH1514BD-150M-R	15.00	28.00	11.00	0.42	13.30	3.40	5.80
WBH1514BD-220M-R	22.00	36.00	10.00	0.45	11.00	3.00	5.10
WBH1514BD-270M-R	27.00	39.00	8.50	0.45	9.90	2.95	4.70
WBH1514BD-330M-R	33.00	52.00	7.20	0.45	9.00	2.55	3.90
WBH1514BD-470M-R	47.00	75.00	5.60	0.55	7.50	2.20	3.45
WBH1514BD-680M-R	68.00	90.00	5.20	0.55	6.20	2.00	3.20
WBH1514BD-101K-R	100.00	126.00	3.80	0.55	5.15	1.65	2.50
WBH1514BD-221K-R	220.00	287.00	2.30	0.70	3.50	1.10	1.70
WBH1514BD-331K-R	330.00	367.00	2.10	0.80	2.83	0.98	1.55
WBH1514BD-471K-R	470.00	550.00	1.65	1.20	2.40	0.77	1.30
WBH1514BD-102K-R	1000.00	1250.00	1.10	2.00	1.63	0.55	0.77

测试频率: 100kHz/0.1V